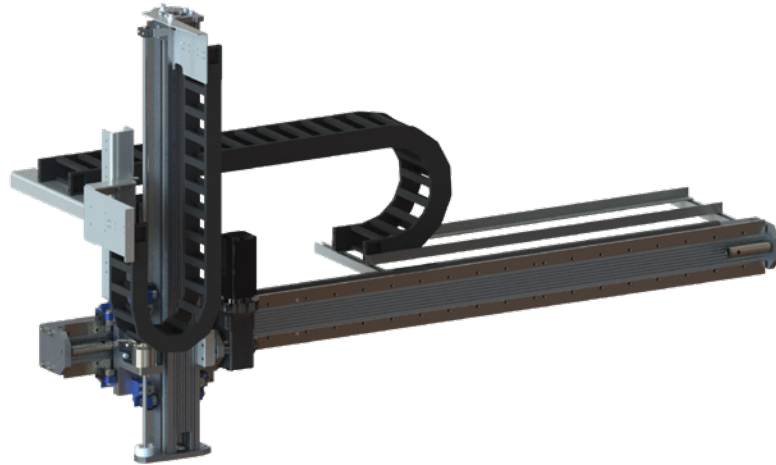


SIZE 2

LINEAR GANTRY ROBOT LGR-2



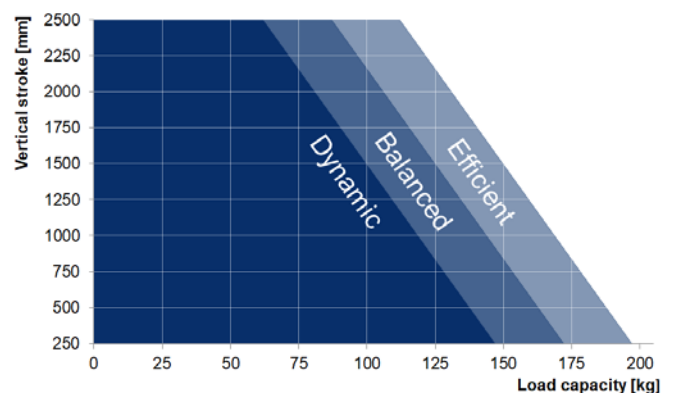
THE LGR-2 IS DESIGNED FOR HANDLING WEIGHTS OF UP TO 150 KG, MASTERS VERTICAL STROKES UP TO APPROX. 2.5 M AND REACHES A MOVEMENT SPEED OF UP TO 4.5 M/S WITH ACCELERATION OF UP TO 6 M/S².

WITH ITS TWO AXES, THE LGR IS IDEAL FOR LOADING MACHINE TOOLS AND FIXTURES AS WELL AS HANDLING COMPONENTS BETWEEN DIFFERENT STATIONS.

THE RACK AND PINION SYSTEM ALLOWS THE TRANSMISSION OF LARGE FORCES AS WELL AS PRECISE POSITIONING. USING INTEGRATED T-NUT RAILS, THE SUPPORT ENABLES THE RACK AND ALL ATTACHED COMPONENTS TO BE POSITIONED FLEXIBLY DURING ASSEMBLY. THE LINEAR HORIZONTAL AXIS CAN BE EXTENDED TO OVER 20 M.

LOAD CLASSES

- **Dynamic** ($v = 4.5 \text{ m/s}$, $a = 6 \text{ m/s}^2$)
with additional load of up to 100 kg*
- **Balanced** ($v = 3 \text{ m/s}$, $a = 4.5 \text{ m/s}^2$)
with additional load of up to 125 kg*
- **Efficient** ($v = 2 \text{ m/s}$, $a = 3 \text{ m/s}^2$)
with additional load of up to 150 kg*



*Load specifications refer to a vertical stroke of 1.5 m.

MORE INFORMATION?

Do you require more detailed information or a CAD model of our product? Then please get in touch with our sales team.

vertrieb@fibro-laepfle.de